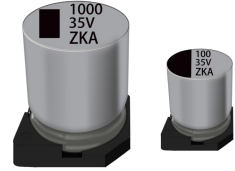


VZL Series 片式铝电解电容器低阻抗长寿命品

Long Life Aluminum Electrolytic Capacitor of V-chip Type



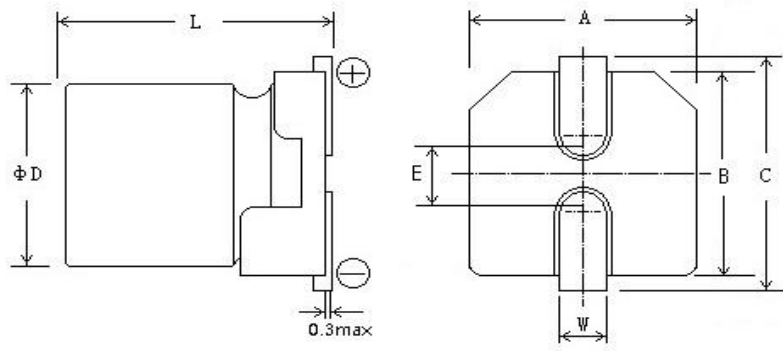
- 适用于回流焊 ● 适用于高密度表面组装
- 性能稳定、可靠性高。 ● 低阻抗品 ● 寿命: +105°C 5000 小时。
- Reflow soldering is available ● Available for high density surface mounting
- High stability and reliability ● Lower Impedance ● Lifetime: +105°C 5000 Hrs.



主要技术性能 Specifications

使用温度范围 Operating Temperature Range	-55~+105°C									
额定电压范围 Rated Voltage Range	6.3~100V DC									
标称电容量允许偏差 Capacitance Tolerance	±20% (120Hz, 20°C)									
漏电流(20°C) Leakage Current	I ≤ 0.01CV(μA) 或 3 μA 取较大者, (2 分钟) I ≤ 0.01CV(μA) or 3 μA Whichever is greater (after 2 minutes)									
	I=Leakage Current(μA), C=Capacitance(μF), V=Rated DC Working Voltage(V)									
损耗角正切值 Dissipation Factor (120Hz 20°C)	WV	6.3	10	16	25	35	50	63	80	100
	tg δ	0.28	0.24	0.20	0.16	0.13	0.10	0.08	0.08	0.08
	0.02 is added to every 1000μF increase over 1000μF									
温度特性 (120Hz) Temperature Characteristics Impedance Ratio (120Hz)	WV	6.3	10	16	25	35	50	63	80	100
	Z _{-25°C} / Z _{+20°C}	2	2	2	2	2	2	2	2	2
	Z _{-40°C} / Z _{+20°C}	3	3	3	3	3	3	3	3	3
耐久性 Load Life	+105°C施加额定电压 5000 小时, 恢复 16 小时后, 电容器应满足要求 After applying rated voltage for 5000 hours at +105°C and then resumed 16 hours. The capacitor shall meet the following limits.									
	电容量变化率 Capacitance Change	≤ ±30%初始测量值 ≤ ±30% of Initial measured value								
	漏电流值 Leakage	≤ 规定值 ≤ The specified value								
	损耗角正切值 Dissipation Factor	≤ 3 倍规定值 ≤ 300% of the specified value								
高温贮存 Shelf Life (105°C)	试验时间: 1000 小时, 其他项目与耐久性相同。电压应用处理: 根据 JIS C5101-4 4.1 Test time : 1000hours ; other items are same as the endurance. Voltage application treatment : According to JIS C5101-4 4.1									
额定纹波电流频率系数 Coefficient of Frequency for Rated Ripple Current	Frequency Capacitor	120Hz	1KHz	10KHz	100KHz					
	1.0~180μF	0.40	0.75	0.90	1.00					
	220~560μF	0.50	0.85	0.94	1.00					
	680μF	0.60	0.87	0.95	1.00					

外形图 Outline Drawing



单位 Unit : mm

*L±0.3mm, (L≥10.2mm, L±0.5mm)

Size	6.3×5.4	6.3×7.7	8×6.2	8×10.2	10×10.2	12.5×13.5	12.5×16	16×16.5	16×21.5	18×16.5	18×21.5
A/B±0.2	6.6	6.6	8.3	8.3	10.3	13.0	13.0	17.0	17.0	19.0	19.0
D±0.5	6.3	6.3	8.0	8.0	10	12.5	12.5	16.0	16.0	18.0	18.0
E±0.2	2.2	2.2	3.1	3.1	4.5	5.2	5.2	6.5	6.5	6.5	6.5
L	5.4	7.7	6.2	10.2	10.2	13.5	16.0	16.5	21.5	16.5	21.5
C±0.2	7.3	7.3	9.0	9.0	11.0	13.8	13.8	18	18	20	20
W	0.5~0.9		0.8~1.1			1.1~1.4					

规格壳号、最大允许纹波电流及阻抗值

Standard sizes & Maximum permissible ripple current & impedance

WV Cap (μF)	6.3V			10V			16V			25V			35V		
	ΦD×L (mm)	Z max (Ω)	I (mA)	ΦD×L (mm)	Z max (Ω)	I (mA)	ΦD×L (mm)	Z max (Ω)	I (mA)	ΦD×L (mm)	Z max (Ω)	I (mA)	ΦD×L (mm)	Z max (Ω)	I (mA)
22													6.3×5.4	0.44	230
33							6.3×5.4	0.44	230	6.3×5.4	0.44	230	6.3×5.4	0.44	230
47				6.3×5.4	0.44	230	6.3×5.4	0.44	230	6.3×5.4	0.44	230	6.3×5.4 6.3×7.7	0.44 0.34	230 280
100	6.3×5.4	0.44	230	6.3×5.4	0.44	230	6.3×5.4	0.44	230	6.3×7.7 8×6.2	0.36 0.36	280 280	8×10.2	0.17	450
150	6.3×5.4	0.44	230	6.3×5.4	0.44	230	6.3×7.7 8×6.2	0.36 0.36	280 280	8×10.2	0.17	450	8×10.2	0.17	450
220	6.3×7.7	0.36	280	6.3×7.7 8×6.2	0.36 0.36	280 280	6.3×7.7	0.36	280	8×10.2	0.17	450	8×10.2 10×10.2	0.17 0.09	600 670
330	8×6.2 8×10.2	0.36 0.17	280 450	8×10.2	0.17	450	8×10.2	0.17	450	8×10.2	0.17	450	10×10.2	0.09	670
470	8×10.2	0.17	450	8×10.2	0.17	450	8×10.2 10×10.2	0.17 0.09	450 670	10×10.2	0.09	670	10×12.5 12.5×13.5	0.09 0.07	700 820
1000	8×10.2	0.17	450	10×10.2	0.09	670	10×10.2	0.09	670	12.5×13.5	0.07	820	12.5×16	0.06	950
1500	8×10.2	0.17	450	10×10.2	0.09	670	12.5×13.5	0.07	820	12.5×16	0.06	950	16×16.5	0.054	1260
2200	12.5×13.5	0.07	820	12.5×16	0.06	950	16×16.5	0.054	1260	16×16.5	0.054	1260	18×21.5	0.038	1750

I~额定纹波电流 Rated ripple current: (mA, 105°C, 100KHz) ; Z 阻抗值 Impedance: (Ω, 20°C, 100KHz)

■ 规格壳号、最大允许纹波电流及阻抗值

Standard sizes & Maximum permissible ripple current & impedance

WV Cap (μ F)	50V			63V			80V			100V		
	Φ D×L (mm)	Z max (Ω)	I (mA)	Φ D×L (mm)	Z max (Ω)	I (mA)	Φ D×L (mm)	Z max (Ω)	I (mA)	Φ D×L (mm)	Z max (Ω)	I (mA)
10	6.3×5.4	0.88	165	6.3×5.4	1.2	130						
22	6.3×5.4	0.88	165	6.3×7.7	0.90	150				8×10.2	1.3	130
33	6.3×7.7	0.68	185	8×10.2	0.5	280	8×10.2	1.3	130	10×10.2	0.7	200
47	6.3×7.7 8×6.2	0.68 0.68	185 185	8×10.2	0.5	280	10×10.2	0.7	200	10×10.2	0.7	200
68	8×10.2	0.34	369	10×10.2	0.25	450	10×10.2	0.7	200	12.5×13.5	0.32	450
100	8×10.2 10×10.2	0.34 0.18	369 553	10×10.2	0.25	450	10×10.2	0.7	200	12.5×13.5	0.32	450
220	12.5×13.5	0.12	650	12.5×13.5	0.15	650	12.5×16 16×16.5	0.26 0.17	550 650	16×16.5 18×21.5	0.17 0.15	650 950
330	12.5×13.5	0.12	650	16×16.5	0.082	900	16×16.5	0.17	650	18×16.5 16×21.5	0.15 0.15	850 900
470	12.5×16 16×16.5	0.10 0.073	850 1000	16×16.5	0.082	900	16×21.5	0.15	900	18×21.5	0.15	950
1000	16×16.5 18×16.5	0.073 0.066	1000 1500	18×21.5	0.06	1250						
1200	16×21.5	0.05	1910	18×21.5	0.06	1350						

I~额定纹波电流 Rated ripple current: (mA, 105°C, 100KHz) ; Z 阻抗值 Impedance: (Ω , 20°C, 100KHz)